

Snack units are made of AISI 430 stainless steel with AISI 304 top plate. All snack units include pressed top plate or basins with round internal angles and ergonomic front panels. All connection points are located on the device rear side. Wide selection of models and options helps in setting up a compact customized configuration.

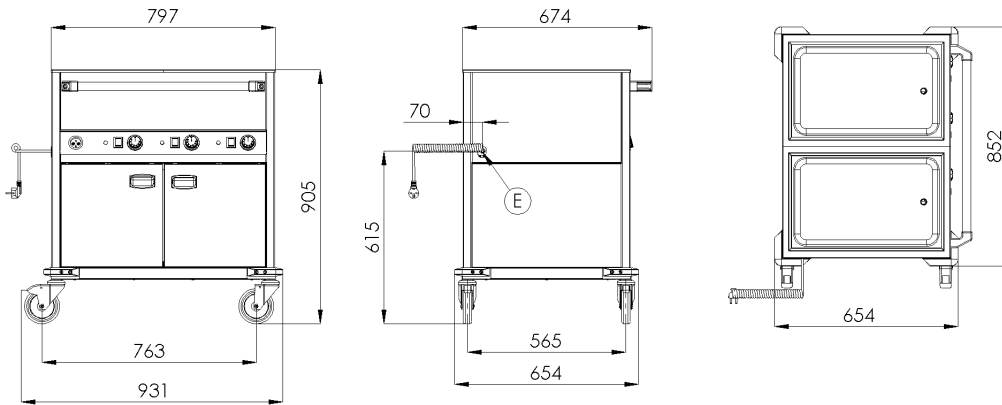


- Tanks with depth for GN 200 mm
- Separated regulation of each baths
- The drain is placed under the baths - more safety
- Signalling of the heating elements with an indicator
- Drain 1/2
- Operating thermostat 30-90 °C
- Static or wheeled version
- Pressed-basins with ergonomic inner-shapes and angles for easy cleaning and maintenance
- Ergonomic control panel on a shorter or longer side of the device
- Lower cabinet as a storage space (heated or neutral)

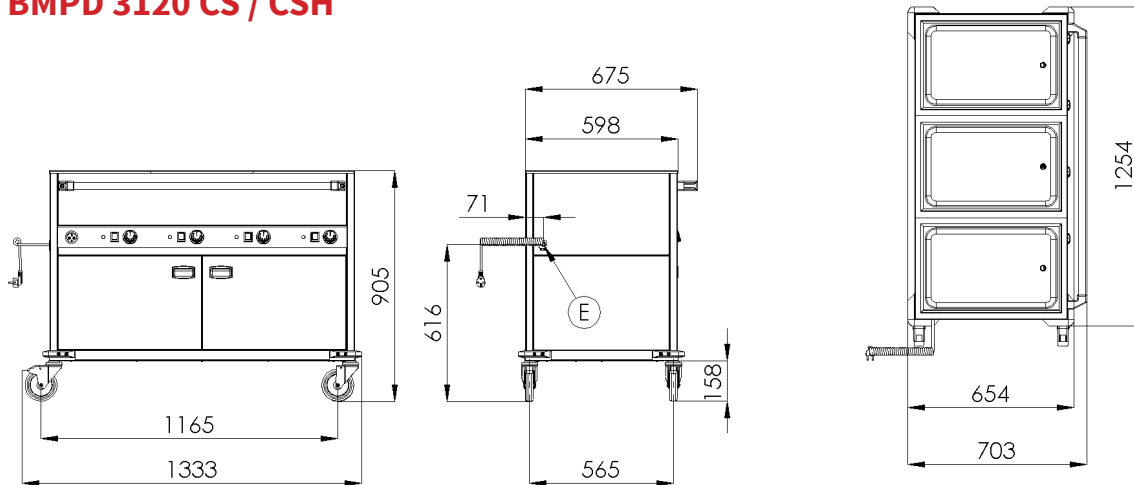


Index	Model	mm	kg	V / Hz	kW	GN	Control panel	Wheels
100 505 237	BMPD 2120 CSH	850 x 700 x 900	71,3	230 / 50-60	1,4 + 0,8	2x GN 1/1 - 200	long side	✓
100 505 225	BMPK 2120 CSH	900 x 650 x 900	71,1	230 / 50-60	1,4 + 0,8	2x GN 1/1 - 200	short side	✓
100 505 226	BMPD 3120 CSH	1250 x 700 x 900	98,7	230 / 50-60	2,1 + 0,8	3x GN 1/1 - 200	long side	✓
100 505 235	BMPK 3120 CSH	1300 x 650 x 900	98,1	230 / 50-60	2,1 + 0,8	3x GN 1/1 - 200	short side	✓
100 505 223	BMPD 2120 CS	850 x 700 x 900	55,9	230 / 50-60	1,4	2x GN 1/1 - 200	long side	✓
100 505 222	BMPK 2120 CS	650 x 900 x 900	55,7	230 / 50-60	1,4	2x GN 1/1 - 200	short side	✓
100 505 233	BMPD 3120 CS	1250 x 700 x 900	76,1	230 / 50-60	2,1	3x GN 1/1 - 200	long side	✓
100 505 232	BMPK 3120 CS	650 x 1300 x 900	75	230 / 50-60	2,1	3x GN 1/1 - 200	short side	✓
100 505 043	BMPD 4120 CS	1650 x 700 x 900	106	230 / 50-60	2,8	4x GN 1/1 - 200	long side	✓
100 505 238	BMPK 4120 CS	650 x 1700 x 900	93	230 / 50-60	2,8	4x GN 1/1 - 200	short side	✓

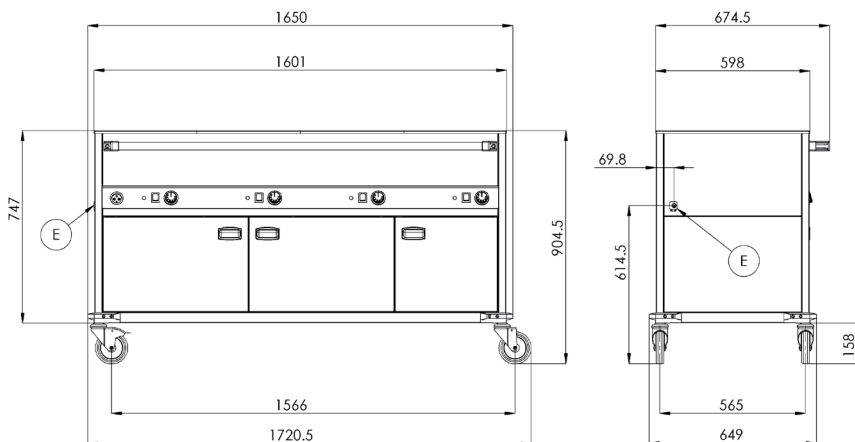
BMPD 2120 CS / CSH



BMPD 3120 CS / CSH

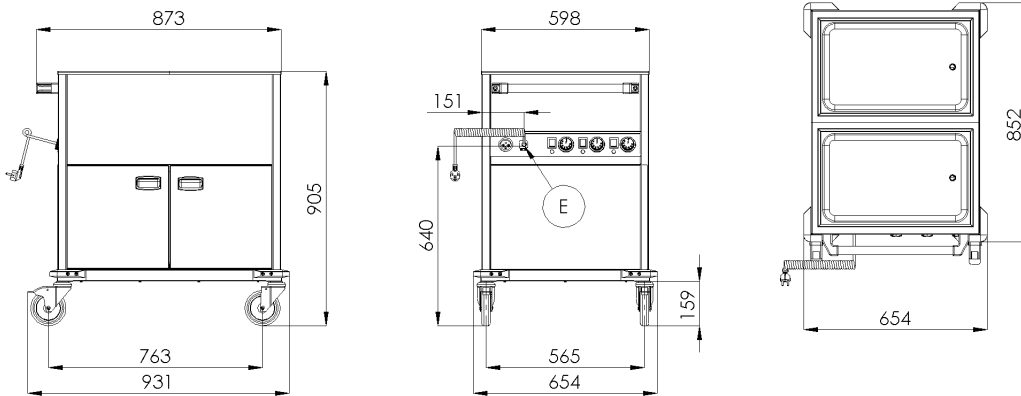


BMPD 4120

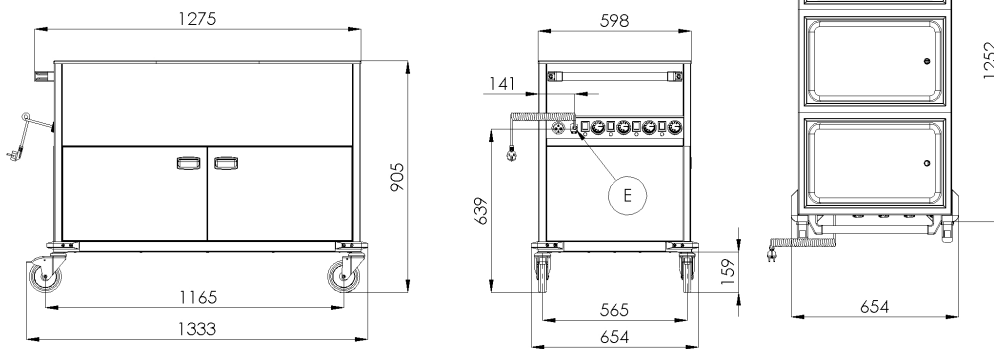


E – electric

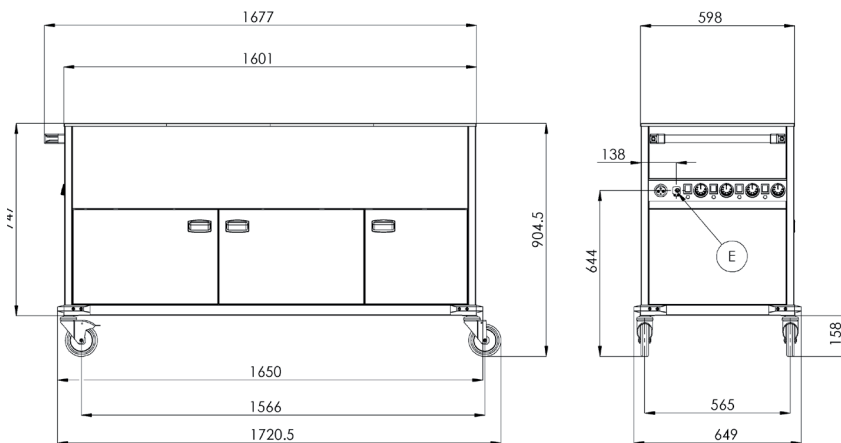
BMPK 2120 CS / CSH



BMPK 3120 CS / CSH



BMPK 4120



E – electric