

Snack units are made of AISI 430 stainless steel with AISI 304 top plate. All snack units include pressed top plate or basins with round internal angles and ergonomic front panels. All connection points are located on the device rear side. Wide selection of models and options helps in setting up a compact customized configuration.

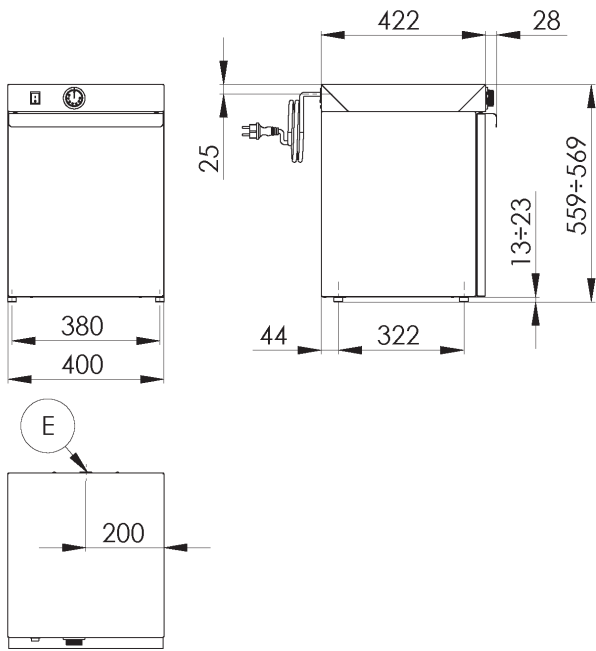


- Full stainless steel design
- Double wall
- 1 or 2 doors – the option of opening direction
- 1 adjustable shelf
- Division according to the plate capacity
- Temperature range 30 - 90 °C

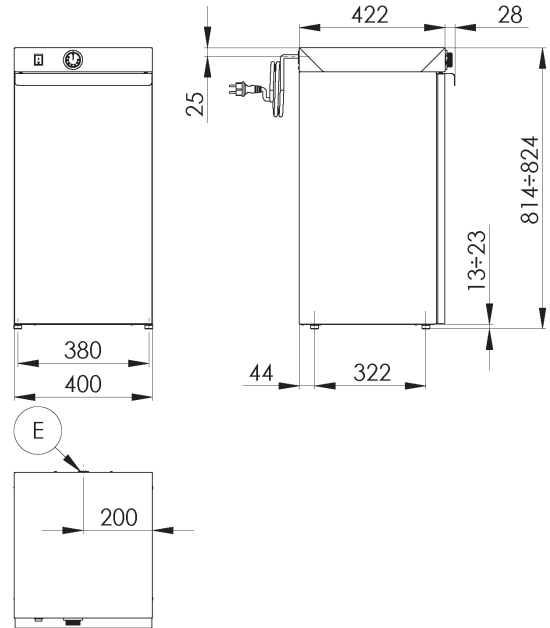


Index	Model	mm	kg	V / Hz	kW	Capacity	° C
102 550 450	OTS 45	400 x 460 x 570	20	230 / 50-60	0,4	30 / \varnothing 350 mm	30 - 90
102 550 480	OTS 48	400 x 460 x 870	25,6	230 / 50-60	0,75	60 / \varnothing 350 mm	30 - 90
102 550 780	OTS 78	800 x 460 x 870	42,3	230 / 50-60	1,5	120 / \varnothing 350 mm	30 - 90

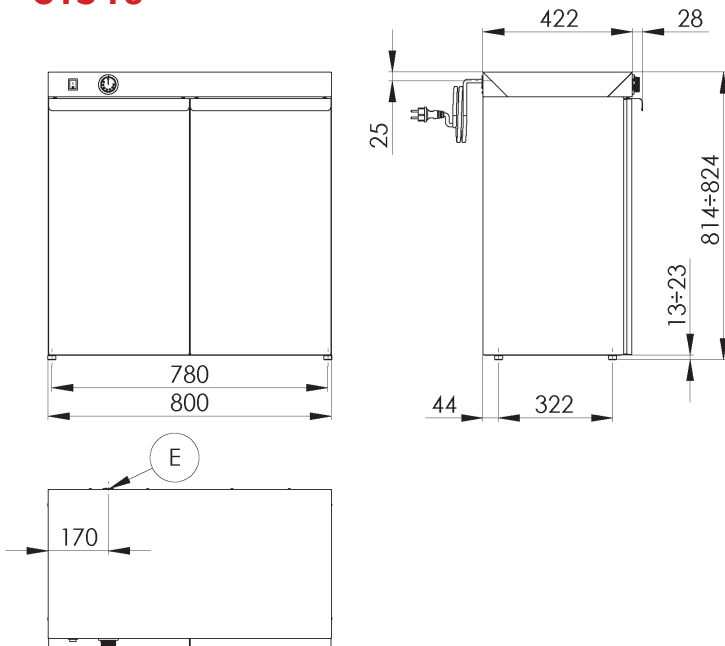
OTS 45



OTS 48



OTS 78



E - electric