



Line 700

gas lava stone grills

All units are made of CrNi 18/10 class AISI 304 stainless steel with 1.5 mm thickness top plate. The base legs are made of stainless steel and are height adjustable. The whole unit complies with protection IP24. The unit 700 specifications include high performance, pressed tanks with round internal angles and ergonomic front panels with operating and control elements.



- the entire device's shell is made of stainless steel AISI 304; the upper pressed plate of 1.5 mm thickness
- burner of 7.5 kW or 2x 7.5 kW power
- the burner is removable
- selection between meat or fish grid
- grid material AISI 304
- 800 mm module contains 2 independent burners
- the border around the range (splash cover) is removable to simplify cleaning the grid
- fat reservoir of 2.2 l litre volume
- the burner is ignited by integrated piezoelectric igniter
- safety element - thermocouple
- supplied with 10-20 kg lava stones - module 400 mm 10 kg of stones; 20 kg for 800 mm module
- gas supply G ½"
- low rear chimney with cast iron grill



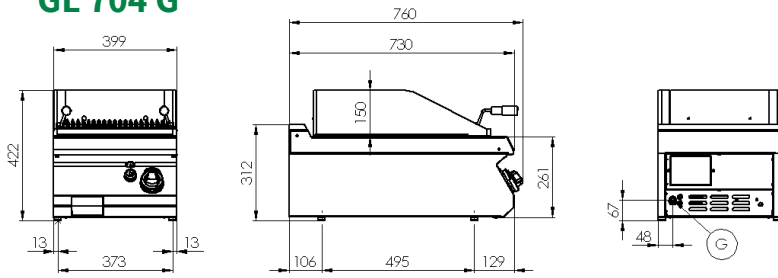
Index	Model	mm	kg	kW	V / Hz	Grid
117 130 118	GL 704 G	400 x 730 x 422	34	7,5	230 / 50-60	520 x 380
117 130 166	GL 708 G	800 x 730 x 364	55	15	230 / 50-60	2 x 520 x 380
117 130 167	GL 740 G	400 x 730 x 1007	45	7,5	230 / 50-60	520 x 380
117 130 168	GL 780 G	800 x 730 x 960	71	15	230 / 50-60	2 x 520 x 380



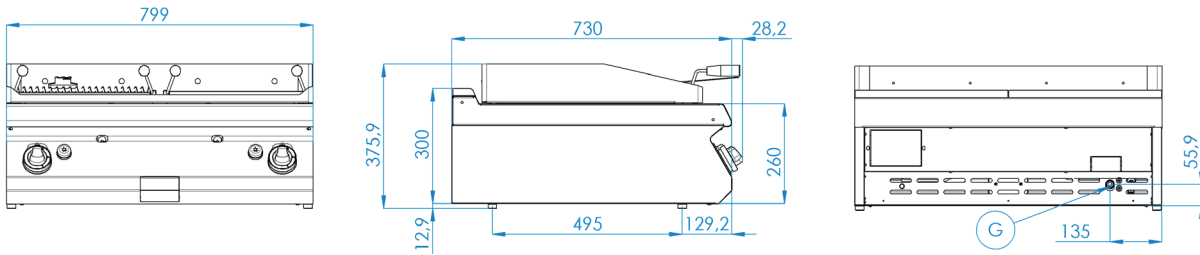


gas lava stone grills

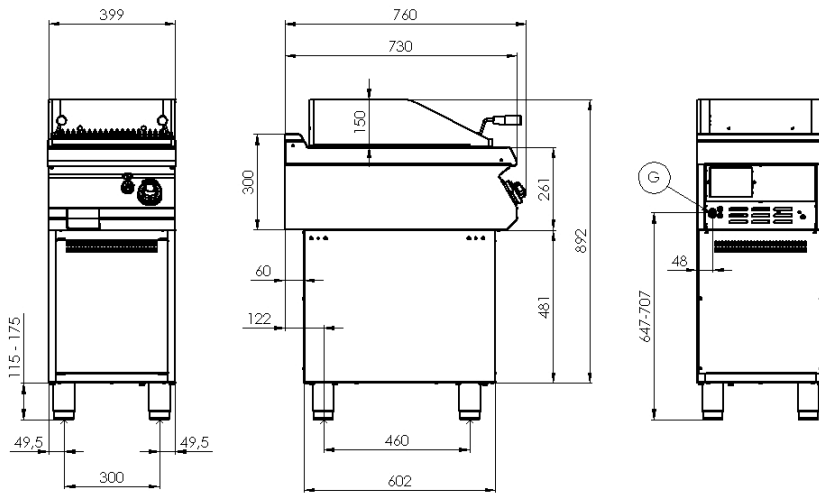
GL 704 G



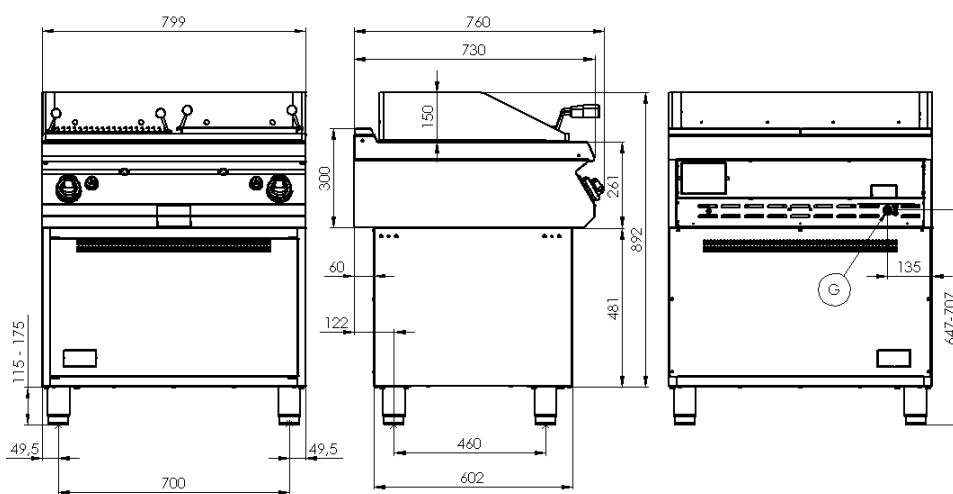
GL 708 G



GL 740 G



GL 780 G



G - gas

